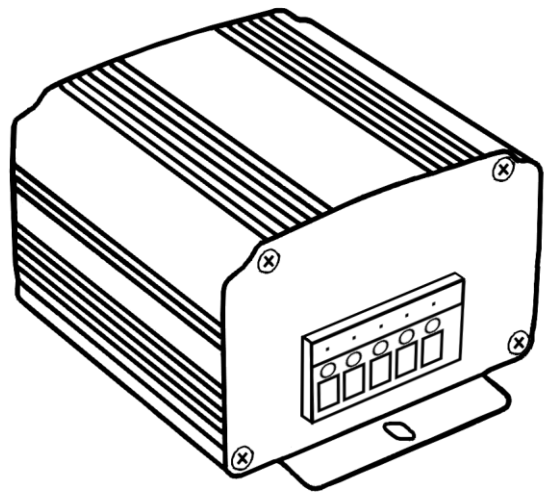
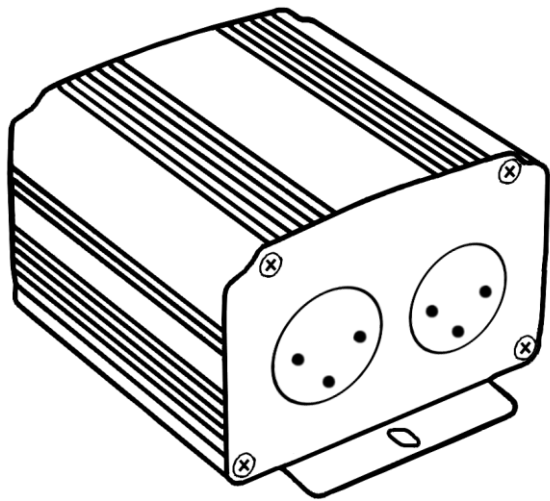


# MINI SPLITTERS

XLR & ARC

V.1



---

# SUMMARY

**Hardware technical specifications.....3**

**XLR.....4**

    Front Face .....4

    Rear Face.....4

**ARC. ....5**

    Front Face .....5

    Rear Face.....5

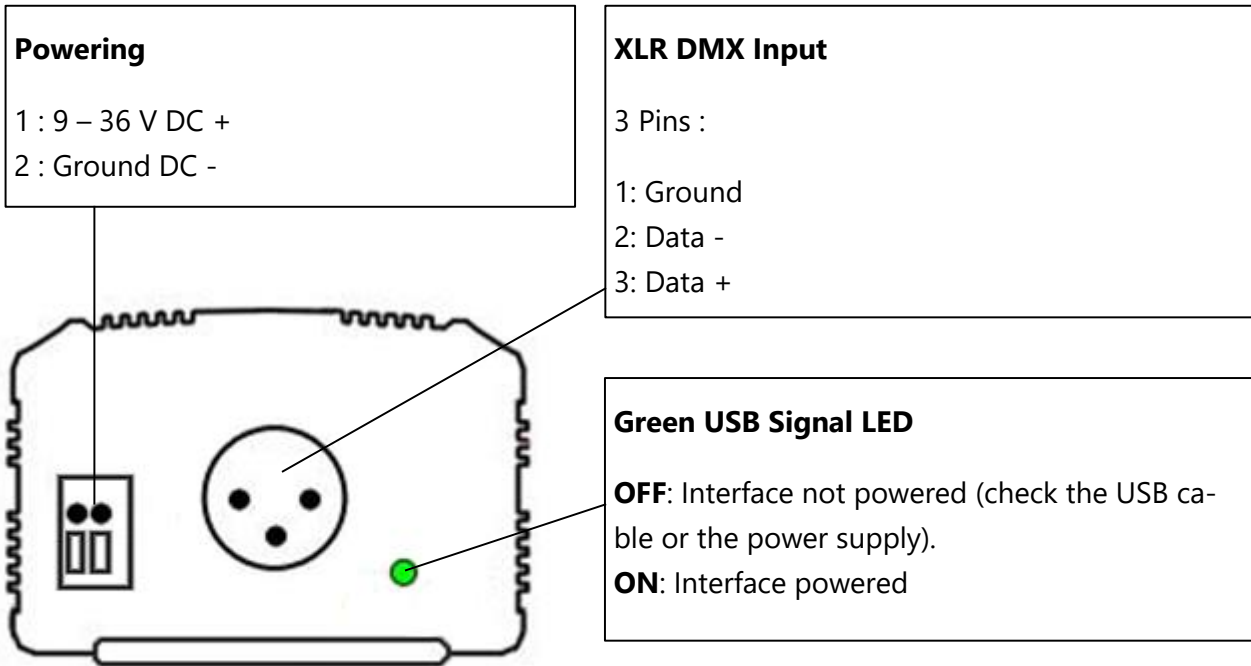
**Dimensions of the interface .....6**

**Splitters Connection.....7**

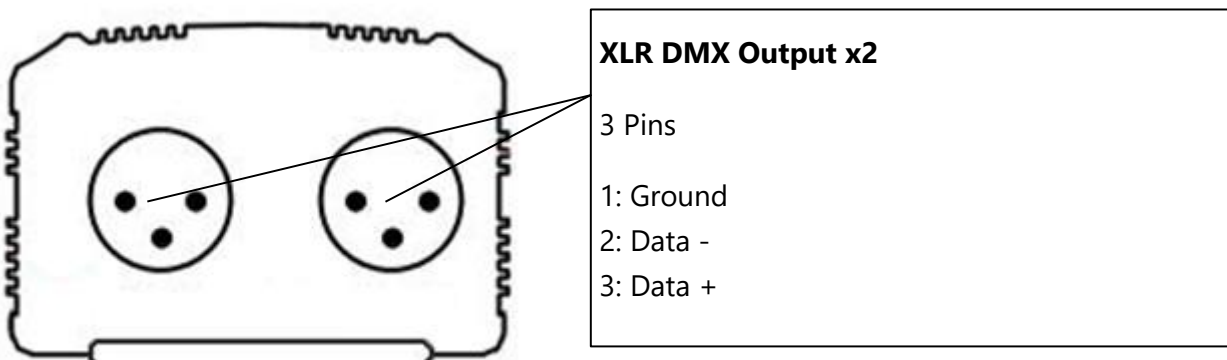
## HARDWARE TECHNICAL SPECIFICATIONS

<b>DC Input</b>	9 ~ 36 V. DC ; 0.5 A 1 Screw connector for the external 9~36V. DC power 1KV. DC Power Input Insulation
<b>Connectors</b>	3-pin XLR connectors for DMX (x2 Outputs)
<b>DMX Input</b>	Fuse protected, 512 channels
<b>DMX signal</b>	Opto Insulation (Input ~ Outputs)
<b>Size</b>	H: 48 mm ; W: 70 mm ; L: 89 mm
<b>Weight</b>	0.15 Kgs
<b>Housing</b>	Black with 2 mounting holes, Aluminum
<b>IP rating</b>	IP20
<b>Operating temperatures</b>	-25°C. ~ + 70°C.
<b>Storage</b>	Keep in dry place
<b>High Voltage Protection</b>	Yes
<b>International Warranty</b>	Yes, 1 Year

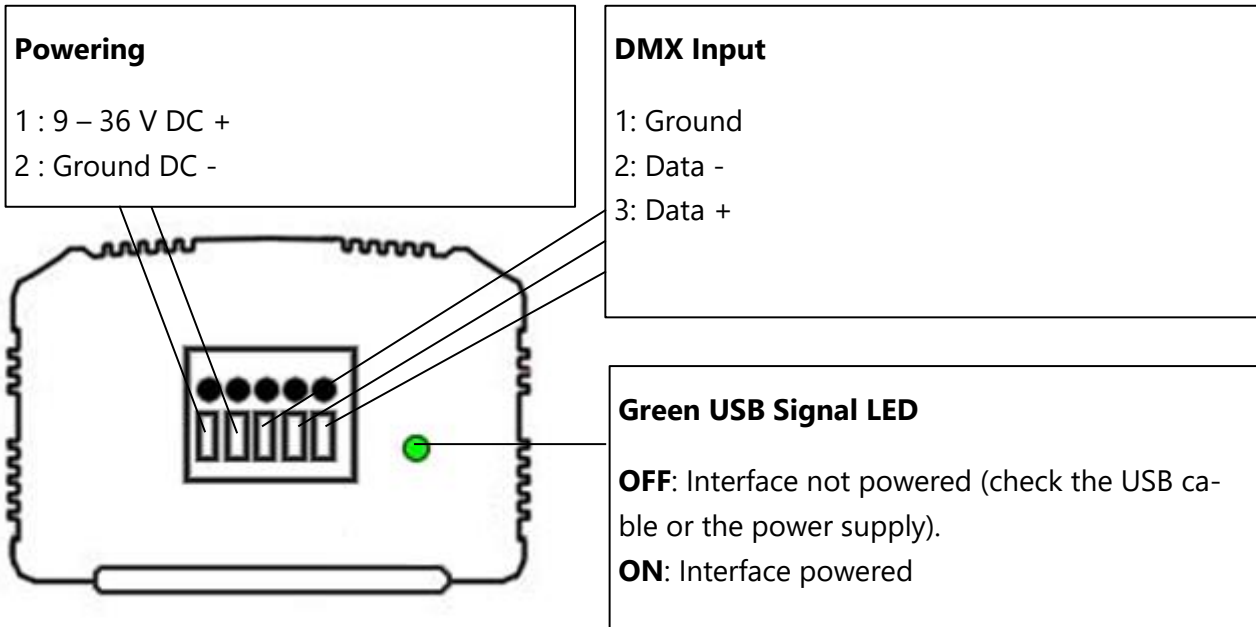
FRONT FACE



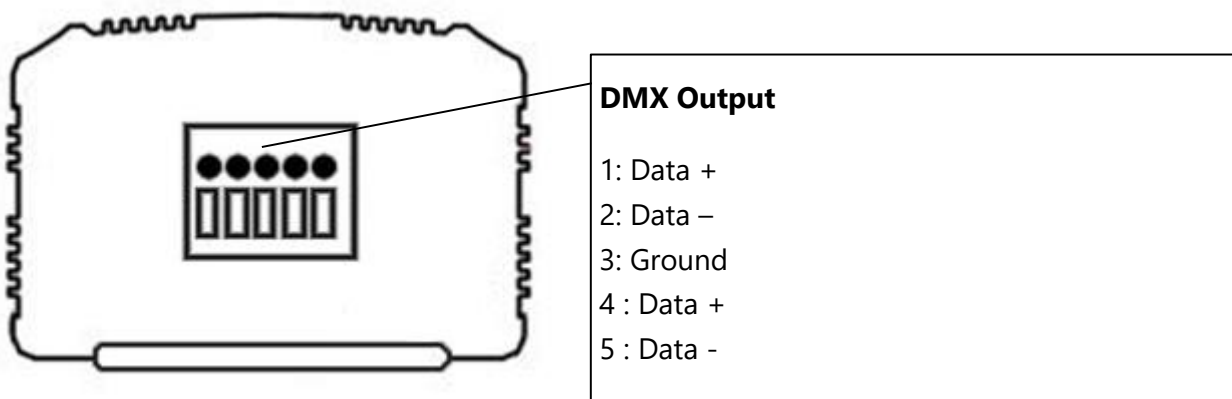
REAR FACE



FRONT FACE

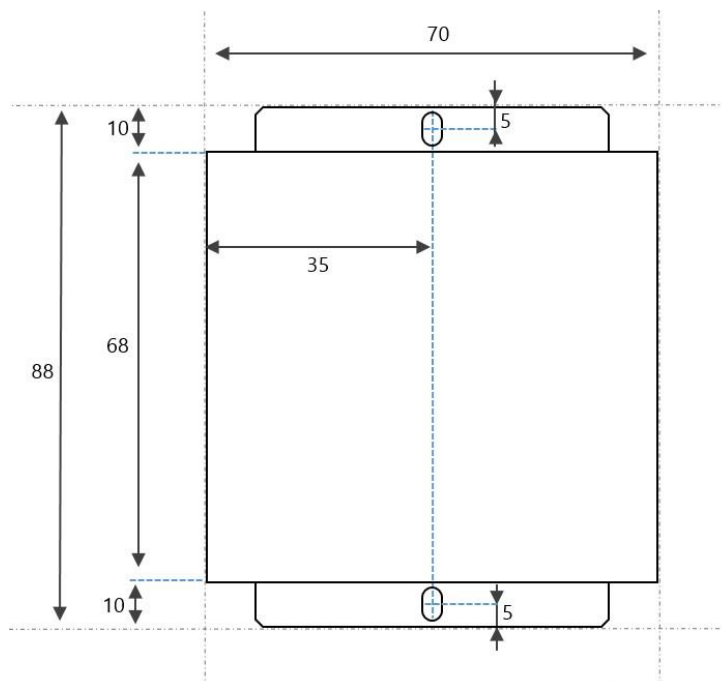
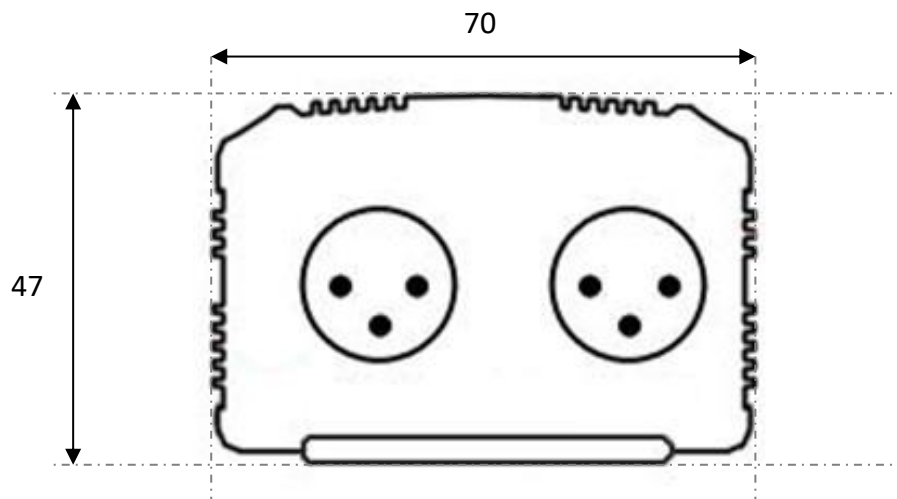


REAR FACE



## DIMENSIONS OF THE INTERFACE

The metric system is used. The unit is mm.



## SPLITTERS CONNECTION

Splitters can split, isolate, protect, boost and amplify a DMX source. You can duplicate your DMX signal easily into 2 identical separate lines. Splitters will also retrieve your DMX signal in case of lost signal or drop of DMX signal.

